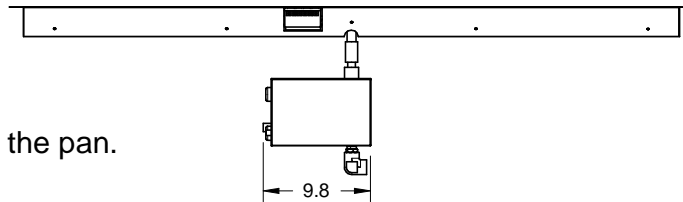
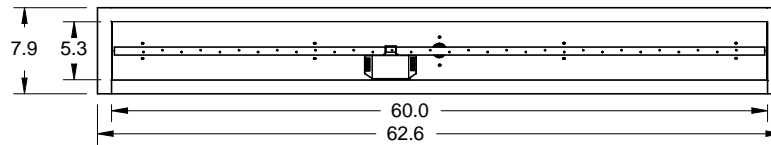
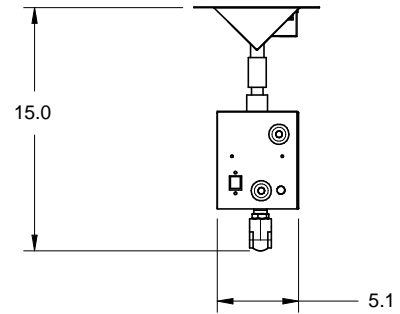



Click on Image to View in 3D



| REVISIONS |     |             |      |          |
|-----------|-----|-------------|------|----------|
| ZONE      | REV | DESCRIPTION | DATE | APPROVED |
|           |     |             |      |          |



It is recommended to recess the lip of the pan.

|   |                      |                   |  |          |                         |       |
|---|----------------------|-------------------|--|----------|-------------------------|-------|
| Materials:<br>Pan, Burner, and Valve<br>Box Are All 304 Stainless<br>Steel Construction | DRAWN<br>Mike Adkins | DATE<br>11/5/2010 | <b>60SSHWI-TRGH</b><br><br><br><b>Hearth Products Controls Co</b> |          |                         |       |
|   | CHECKED              |                   |  |          |                         |       |
| Overall Height = +/- 2.0<br>Depending on Configuration                                  | QA                   |                   | SIZE<br><b>A</b>   | FSCM NO. | DWG NO.<br>60SSHWI-TRGH | REV   |
|   | MFG                  |                   | SCALE  |          |                         | SHEET |
|   | APPROVED             |                   |  |          |                         |       |

