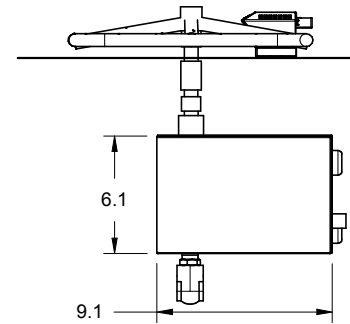
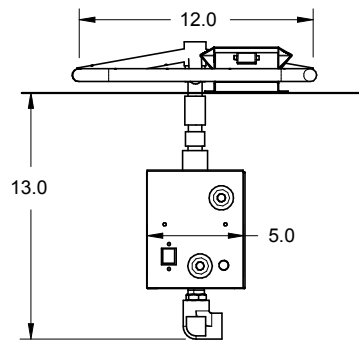
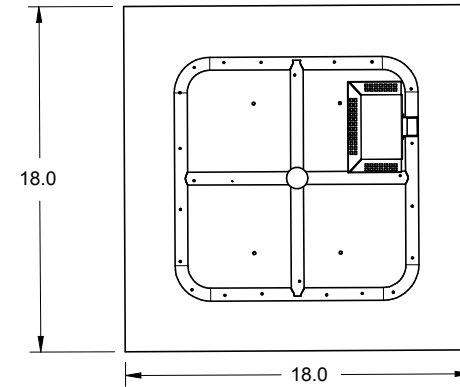


REVISIONS

ZONE	REV	DESCRIPTION	DATE	APPROVED
------	-----	-------------	------	----------



Materials: Pan, Burner, and Valve Box Are All 304 Stainless Steel Construction  Overall Height = +/- 2.0 Depending on Configuration	DRAWN	DATE	<b>18FSSHWI SQ</b>			
	CHECKED					
	QA		SIZE	FSCM NO.	DWG NO.	REV
	MFG		<b>A</b>		18FSSHWI SQ	
APPROVED			SCALE		SHEET	

