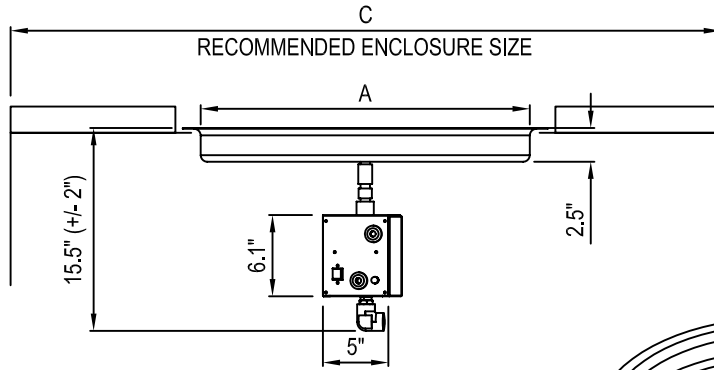


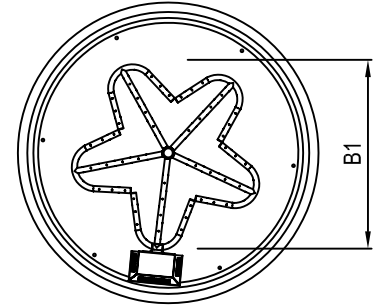
# Hearth Products Controls Co

CSA CERTIFIED-OUTDOOR USE ONLY

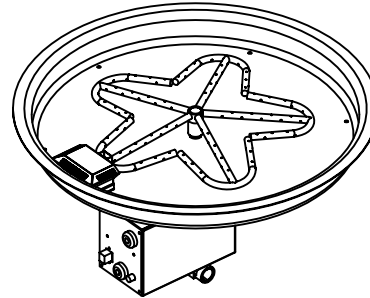
1



SIDE ELEVATION



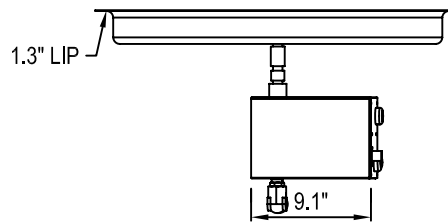
PENTA BURNER OPTION



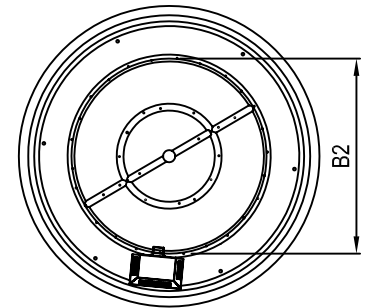
ISOMETRIC VIEW

AVAILABLE IN 120VAC OR 24VAC

PART NUMBERS	STND BTU	DIMENSION CHART		
		A"	B1"	C"
PENTA19 HWI	65K	19	12	54
PENTA25 HWI	125K	25	18	72
PENTA31 HWI	200K	31	24	72
PENTA37 HWI	250K	37	30	80
PENTA43 HWI	400K	43	36	90
ROUND BURNER		A"	B2"	C"
13SS90HWI	90K	13	12	54
19SS90HWI	90K	19	12	54
25SS150HWI	150K	25	18	54
31SS300HWI	250K	31	24	54
37SS300HWI-HC	250K	37	30	72
43SS400HWI-HC	400K	43	36	80



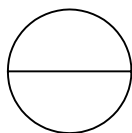
FRONT ELEVATION



ROUND BURNER OPTION

**NOTES:**

- FOR USE WITH FIXED PIPING SYSTEMS ONLY.
- NOT FOR USE WITH SMALL TANKS
- ALL ENCLOSURES REQUIRE 2 EACH 18 SQ/IN VENTS ON OPPOSING SIDES AND ADEQUATE DRAINAGE.
- RESIDENTIAL GAS PRESSURE ONLY
- MODIFICATION OF PRODUCT WILL VOID ANY CERTIFICATION AND WARRANTY.
- FOLLOW ALL MANUFACTURER INSTALLATION INSTRUCTIONS AND LOCAL CODES.
- ALL DIMENSIONS ARE CONSIDERED TRUE AND REFLECT MANUFACTURER'S SPECIFICATIONS AS OF THIS REVISION DATE.
- DO NOT SCALE DRAWING.
- THESE DRAWINGS ARE FOR SIZING AND PLANNING PURPOSES. ALL INFORMATION CONTAINED HEREIN WAS CURRENT AT THE TIME OF DEVELOPMENT. THE MANUFACTURER IS RESPONSIBLE FOR THE ACCURACY OF THE DRAWING
- CONTRACTOR'S NOTE: FOR PRODUCT AND COMPANY INFORMATION VISIT [www.CADdetails.com/info](http://www.CADdetails.com/info) REFERENCE NUMBER 771-012.



## HWI FIRE PIT INSERT

HWI BOWL ROUND PAN - FLAME SENSING WITH ELECTRONIC HOT WIRE IGNITION